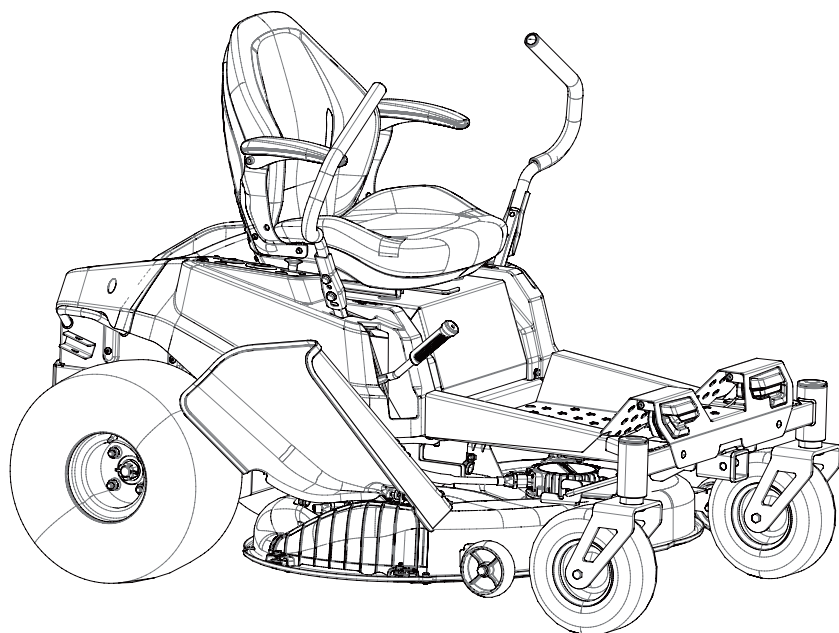


greenworks **pro**TM

CRZ426 / CRZ428

P0803709-00, Rev B

EN	ZERO-TURN MOWER	OPERATOR MANUAL
FR	TONDEUSE À RAYON DE BRAQUAGE ZÉRO	GUIDE D'ASSEMBLAGE
ES	CORTACÉSPED DE GIRO CERO	GUÍA DE MONTAJE






www.greenworkstools.com
www.greenworkscommercial.com

1	Risk levels.....	4	11.1	Before operation.....	11
2	Read all instructions.....	4	11.2	Operate the machine.....	13
2.1	Operator.....	4	11.3	Slope operation.....	15
2.2	Machine.....	4	11.4	Digital display.....	16
2.3	Mowing area.....	5	11.5	Faults.....	16
2.4	Mowing.....	5	12	Fault code.....	17
2.5	Servicing.....	5	13	Maintenance.....	22
2.6	Child safety.....	5	13.1	Mower blade maintenance.....	22
2.7	Use a ramp.....	6	13.2	Tires.....	23
2.8	Towing.....	6	13.3	Lubrication.....	23
2.9	Battery and charger.....	6	13.4	Torque values.....	24
3	Symbols on the product.....	6	13.5	Battery pack maintenance.....	24
4	Environmentally safe battery disposal.....	7	13.6	Battery compartment filter maintenance.....	24
5	Proposition 65.....	8	13.7	Service.....	24
6	Description.....	8	14	Transportation.....	25
6.1	Purpose.....	8	15	Cleaning and storage.....	26
6.2	Overview.....	8	15.1	Clean the mower deck.....	26
7	Know your machine.....	8	15.2	Store the machine.....	26
7.1	Control panel.....	8	15.3	Prepare for use after storage.....	26
7.2	Install the Roll over protection structure (ROPS).....	9	16	Troubleshooting.....	27
7.3	Steering control levers.....	9	17	Technical data.....	30
7.4	Anti-scalp Wheels.....	9	18	Warranty.....	30
7.5	Neutral bypass knob.....	10	18.1	ITEMS NOT COVERED BY WARRANTY:.....	30
8	Unpack the machine.....	10	18.2	HELPLINE:.....	30
9	Install the seat.....	10	18.3	TRANSPORTATION CHARGES:.....	30
10	Install the accessories.....	11	19	Greenworks Product Registration:.....	31
10.1	Install the mulch cover.....	11	20	Serial Number(s).....	32
11	Operation.....	11			

1 RISK LEVELS

The following signal words and meanings are intended to explain the levels of risk associated with this product.

SYM-BOL	SIGNAL	MEANING
	DANGER	Indicates an imminently hazardous situation, which, if not avoided, will result in death or serious injury.
	WARNING	Indicates a potentially hazardous situation, which, if not avoided, could result in death or serious injury.
	CAUTION	Indicates a potentially hazardous situation, which, if not avoided, may result in minor or moderate injury.
	CAUTION	(Without Safety Alert Symbol) Indicates a situation that may result in property damage.

2 READ ALL INSTRUCTIONS

▲ WARNING

This symbol indicates important safety instructions. If these instructions are not followed, it could endanger the personal safety and/or property of the operator and others. Read and understand all instructions in this manual before attempting to operate the mower. Failure to comply with these instructions may result in personal injury.

▲ DANGER

This mower was built to be operated according to the rules for safe operation that are contained in this manual. As with any type of power equipment, carelessness or error on the part of the operator can result in serious injury. This mower is capable of amputating body parts and throwing objects. Failure to observe the following safety rules could result in serious injury or death.

▲ WARNING

Basic safety precautions should always be followed when using lawnmowers in order to reduce the risk of fire, electric shock, and personal injury.

▲ WARNING

Use of this mower should be restricted to individuals who have read and understand and will follow the warnings and instructions that are printed in this manual and on the mower.

▲ WARNING

- Carefully read all instructions on the mower and in the manual before attempting to assemble and operate the mower.
- For safe operation, read, understand, and follow all instructions in this manual.
- Become familiar with all controls and their proper operation. Know how to stop the mower and how to disengage the power in an emergency.
- Keep this manual in a safe place for reference and consult it regularly.

2.1 OPERATOR

- Do not use battery-operated ride-on mower in rain.
- Only allow responsible, capable adults who are familiar with the instructions to operate this machine.
- Safe operation requires your full attention and capabilities.
- Always look where you are going and be aware of your surroundings.
- Listen to the machine and be aware of any change.
- Feel the machine and its responses from both your inputs and the environment.
- Remain focused on your task.
- Always wear proper eye protection that complies with the latest safety standards in order to reduce the risk of eye injury while operating or performing any adjustment or repair. See ANSI Z87.1.
- Do not operate machine unless discharge guard or other safety devices are in place and working.
- Always wear a face mask or a dust mask while operating the mower in a dusty environment.
- Always dress properly. The wearing of protective gloves and safety footwear is recommended.
- Do not wear radios or music headphones while operating the machinery.
- Do not operate the equipment while wearing sandals, tennis shoes, sneakers, shorts or any type of loose-fitting clothing. Long hair, loose clothing or jewelry may get tangled in moving parts. Always wear long pants, safety glasses, ear protection and safety shoes while operating this machine.
- Stay alert! Do not operate the mower when you are tired. Do not operate the mower while under the influence of alcohol or drugs. Pay attention to what you are doing. Use common sense.
- Never carry passengers.
- Follow the manufacturer's recommendation for wheel weights or counterweights.

2.2 MACHINE

- Never operate a poorly maintained machine.
- Always keep safety shields and covers in place.

- Follow daily and weekly checklists, making sure electrical connections are secured and bolts are tightened.
- Replace damaged parts immediately.
- Never operate mower without a proper trail shield, discharge cover, switch control, or other safety device in place and in working order. Do not operate the mower with damaged safety devices; doing so can result in injury.
- Repair or replace any damaged components before restarting and operating the lawnmower.
- Only use approved replacement parts.
- Minimize exposure to water. Do not drive into water. Do not leave in rain. Do not clean with pressurized water or hose.
- Always store your lawnmower indoors. When not in use, the mower should be stored indoors in a dry and locked place, out of reach of children.

2.3 MOWING AREA

- Before mowing any area, thoroughly inspect the area for any hazards. Walk the area to ensure there is adequate traction and no holes, drop-offs, or hidden objects that could cause issues. Clear the area of objects such as rocks, wire, toys, etc., which could be thrown by the blades.
- Be sure the area is clear of bystanders before operating. Stop machine if anyone enters the area.
- Plan your mowing pattern in such a way as to avoid discharging material toward roads, sidewalks, bystanders, vehicles, windows, etc. Do not discharge material against a wall or obstruction. Doing so may cause the discharged material to ricochet back toward the operator.
- Do not mow anything but grasses.
- Stop the blades when crossing dirt, gravel, or paved surfaces.
- Avoid dangerous environments. Do not operate the mower in the rain or in wet or damp grass. To reduce the risk of electric shock, do not expose to water or operate on wet ground.

2.4 MOWING

- For riding mower models, always remain seated while operating machine.
- Do not operate on inclines greater than 15 degrees.
- Mow only in daylight or in good artificial light. Never rush a mowing job.
- Never attempt high-speed maneuvering, especially in crowded, congested areas or on slopes.
- In order to avoid contact with the blade or injury caused by a thrown object, stay in the operating zone behind the handles, and keep children and bystanders at least 100ft (30m) away from the mower while it is in operation. Stop the motor immediately if someone enters the mowing area.
- Look down and behind before and while moving backwards.

- Slow down before turning.
- Do not mow in reverse unless absolutely necessary.
- When moving in reverse, SLOWLY pull right and left Drive Control Levers rearward and avoid sudden movements. Rapid movement of the Drive Control Levers in either direction could result in a reaction of the machine that can cause serious injury.
- Do not put hands or feet near rotating parts or under the cutting deck. Contact with the blade can amputate hands and feet.
- If the mower starts to vibrate excessively, stop the motor and check for the cause immediately. Excessive vibration is generally a sign the mower is not functioning properly.
- Stop the motor and wait until the blade comes to a complete stop before unclogging the chute. The cutting blade will continue to rotate for a few seconds after the motor is shut off. Do not place any part of your body in the blade area until you are sure that the blade has stopped rotating.
- If lawnmower strikes a foreign object, stop the machine, rotate the ignition switch to "OFF" position, then, if it is safe, inspect for damage.
- Don't force the lawnmower.
- Do not use the mower for any job except that for which it is intended.

2.5 SERVICING

- Turn off and remove key before servicing, cleaning, or removing material from the ride-on mower.
- Do not reach under blade guard. Keep hands, feet, and clothing way from rotating blades.
- To reduce personal risk and damage to the machine, never clean with pressure washer.
- Maintain your mower. Keep cutting edges sharp and clean to ensure the best performance and safe operation.

2.6 CHILD SAFETY

Tragic accidents can occur if the operator is not aware of the presence of children. Children are often attracted to the machine and the mowing activity. Never assume that children will remain where you last saw them.

- Never leave machine unattended with key in switch, especially with children present.
- Keep children out of the mowing area and under the watchful care of a responsible adult other than the operator.
- Do not allow children under the age of 14 to operate this mower. Children who are 14 years of age and older must read and understand the operating instructions and safety rules in this manual, and must be trained and supervised by a parent.
- Always disengage deck blade switch and turn key to "OFF" position and remove key.
- Stay alert, and turn the mower off if a child or any other person enters the mowing area.

- Use extreme care when approaching blind corners, doorways, shrubs, trees, or other objects that may obscure your view of a child who may run into the path of the mower.
- Before and while backing, look behind and down for small children.
- Never carry children on the mower with you, even with the blade(s) shut off. They may fall off and be seriously injured or interfere with safe machine operation. Children who have been given rides in the past may suddenly appear in the mowing area for another ride and be run over or backed over by the machine.

2.7 USE A RAMP

- Use extreme caution when loading and unloading this mower onto a truck or trailer with a ramp.
- Use only a single, full-width ramp. This provides a surface for the mower frame to contact if the unit starts to tip backwards. It also reduces the risk of a wheel going off and the machine tipping over.
- Do not exceed a 15-degree angle between the ramp and the ground or between the ramp and the trailer or truck.
- Become familiar with the mower's controls and confident in its smooth operation before attempting to drive it up or down a ramp.
- Use slow drive mode and drive carefully.
- Avoid any sudden movement of the controls and use only slow, even acceleration.

2.8 TOWING

- Tow only with a machine that has a hitch designed for towing. Do not attach towed equipment except at the hitch point.
- Follow the manufacturer's recommendation for weight limits for towed equipment and towing on slopes.
- Never allow children or others in or on towed equipment.
- On slopes, the weight of the towed equipment may cause loss of traction and loss of control.
- Travel slowly and allow extra distance to stop.


2.9 BATTERY AND CHARGER

- Prevent unintentional starting. Ensure the switch is in the off-position before connecting to battery pack, picking up or carrying the appliance. Carrying the appliance with your finger on the switch or energizing appliance that have the switch on invites accidents.
- Disconnect the battery pack from the appliance before making any adjustments, changing accessories, or storing appliance. Such preventive safety measures reduce the risk of starting the appliance accidentally.
- Recharge only with the charger specified by the manufacturer. A charger that is suitable for one type of battery pack may create a risk of fire when used with another battery pack.

- Use appliances only with specifically designated battery packs. Use of any other battery packs may create a risk of injury and fire.
- When battery pack is not in use, keep it away from other metal objects, like paper clips, coins, keys, nails, screws or other small metal objects, that can make a connection from one terminal to another. Shorting the battery terminals together may cause burns or a fire.
- Under abusive conditions, liquid may be ejected from the battery; avoid contact. If contact accidentally occurs, flush with water. If liquid contacts eyes, additionally seek medical help. Liquid ejected from the battery may cause irritation or burns.
- Do not use a battery pack or appliance that is damaged or modified. Damaged or modified batteries may exhibit unpredictable behavior resulting in fire, explosion or risk of injury.
- Do not expose a battery pack or appliance to fire or excessive temperature. Exposure to fire or temperature above 130°C may cause explosion. The temperature of 130°C can be replaced by the temperature of 265°F.
- Follow all charging instructions and do not charge the battery pack or appliance outside of the temperature range specified in the instructions. Charging improperly or at temperatures outside of the specified range may damage the battery and increase the risk of fire.
- Have servicing performed by a qualified repair person using only identical replacement parts. This will ensure that the safety of the product is maintained.
- Do not modify or attempt to repair the appliance or the battery pack (as applicable) except as indicated in the instructions for use and care.

3 SYMBOLS ON THE PRODUCT

Some of the following symbols may be used on this tool. Please study them and learn their meaning. Proper interpretation of these symbols will allow you to operate the tool better and safer.

Symbol	Name	Explanation
V	Volt	Voltage
A	Amperes	Current
Hz	Hertz	Frequency (cycles per second)
W	Watt	Power
min	Minutes	Time
/min	Per Minute	Revolutions, strokes, surface speed, orbits etc., per minute
	Direct Current	Type or a characteristic of current
n ₀	No Load Speed	Rotational speed, at no load

Symbol	Name	Explanation
	Safety Alert	Precautions that involve your safety.
	WARNING --- Wet Conditions	Do not expose the product to rain or moist conditions.
	Read Operator's Manual	To reduce the risk of injury, user must read and understand operator's manual before using this product.
	Eye Protection	Always wear eye protection with side shields marked to comply with ANSI Z87.1 when operating this equipment.
	DANGER --- Keep Hands and Feet Away	To reduce the risk of injury, keep hands and feet away from rotating parts. Do not operate unless discharge cover or grass bag is in its proper place. If damaged, replace immediately.
	DANGER --- Steep Slope Hazard	Use extra caution on slopes. do not mow slopes greater than 15 degrees.
	DANGER --- Thrown Debris	Remove objects that can be thrown by the blade in any direction. Wear safety glasses.
	100' (30m) DANGER --- Keep Bystanders Away	Keep all bystanders at least 100 ft. away.
	DANGER --- Keep Bystanders Away	Keep the area of operation clear of all bystanders, particularly small children. Stop the machine and attachment(s) if anyone enters the area.
	Look around	Always look where you are going and be aware of your surroundings.
	Keep children away	Never carry children on the mower with you. Keep children and animals out of the mowing area.
	No Reach	Do not reach hands or feet under mower deck.

4 ENVIRONMENTALLY SAFE BATTERY DISPOSAL



The toxic and corrosive materials below are in the batteries used in this machine: **Lithium-Ion, a toxic material.**

▲ WARNING

Discard all toxic materials in a specified manner to prevent contamination of the environment. Before discarding damaged or worn out Li-ion battery, contact your local waste disposal agency, or the local Environmental Protection Agency for information and specific instructions. Take the batteries to a local recycling and/or disposal center, certified for lithium-ion disposal.

▲ WARNING

If the battery pack cracks or breaks, with or without leaks, do not recharge it and do not use. Discard it and replace with a new battery pack. **DO NOT TRY TO REPAIR IT!** To prevent injury and risk of fire, explosion, or electric shock, and to avoid damage to the environment:

- Cover the terminals of the battery with heavy-duty adhesive tape.
- **DO NOT** try to remove or destroy any of the battery pack components.
- **DO NOT** try to open the battery pack.
- If a leak develops, the released electrolytes are corrosive and toxic. **DO NOT** get the solution in the eyes or on skin, and do not swallow it.
- **DO NOT** put these batteries in your regular household trash.
- **DO NOT** incinerate.
- **DO NOT** put them where they will become part of any waste landfill or municipal solid waste stream.
- Take them to a certified recycling or disposal center.

5 PROPOSITION 65

▲ WARNING

This product contains a chemical known to the state of California to cause cancer, birth defects or other reproductive harm. Some dust created by power sanding, sawing, grinding, drilling, and other construction activities contains chemicals known to cause cancer, birth defects or other reproductive harm. Some examples of these chemicals are:

- Lead from lead-based paints;
- Crystalline silica from bricks and cement and other masonry products;
- Arsenic and chromium from chemically treated lumber.

Your risk of exposure to these chemicals varies depending on how often you do this type of work. To reduce your exposure to these chemicals, work in a well-ventilated area, and work with approved safety equipment, such as dust masks that are specially designed to filter out microscopic particles.

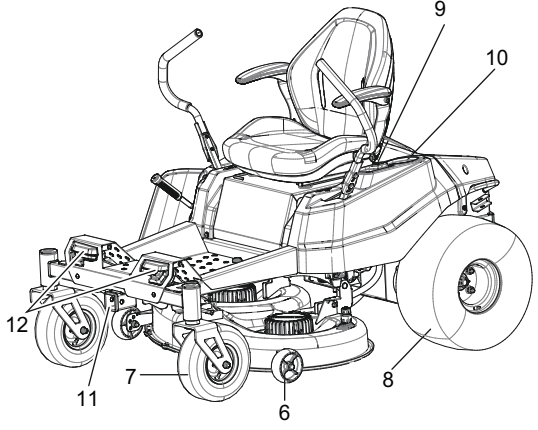
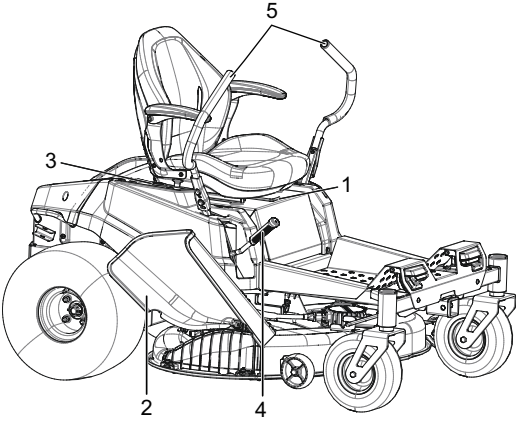
Save these instructions.

6 DESCRIPTION

6.1 PURPOSE

This machine is used for domestic lawn mowing. The cutting blade should be parallel to the ground. All four wheels must touch the ground while mowing.

6.2 OVERVIEW

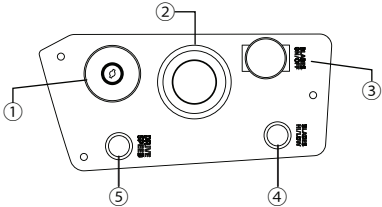


- 1 Seat adjustment lever
- 2 Side discharge chute
- 3 Control panel
- 4 Deck height adjustment lever
- 5 Steer control lever
- 6 Anti-scalp wheels
- 7 Front wheels
- 8 Rear wheels
- 9 USB port
- 10 Cup holder
- 11 ETO socket (2" X 2")
- 12 Headlight

7 KNOW YOUR MACHINE

7.1 CONTROL PANEL

7.1.1 CONTROL PANEL



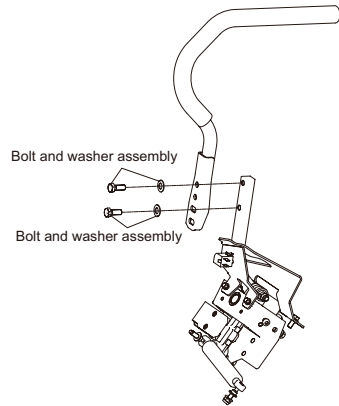
#	Name	Function
1	Power switch with start key	The power switch is used to turn the mower on and off. The start key must be inserted before the switch can be operated.

#	Name	Function
2	Digital display	This display shows important electrical system information. Refer to the Electrical section for complete information.
3	ON/OFF for blade (PTO)	Pull the PTO switch up to activate the mower's cutting blades. Push the knob down to stop the cutting blades.
4	High/Low for blade speed	<p>High blade mode is a higher blade speed for cutting thicker grass, while low blade mode provides lower blade speed for lower battery consumption on thinner, drier grass areas. Press it for high blade speed, the green light will be on. Pull it for low blade speed, the light will be off.</p> <div style="border: 1px solid black; background-color: black; color: white; padding: 5px; text-align: center;"> <p>i NOTE</p> <p>Mowing time will be increased when mowing in low blade mode.</p> </div>
5	High/Low for driving speed	<p>Allows operators to select a comfortable driving speed. Pressing it to "High Speed" position means that the maximum drive speed will be 8 mph, the green light will be on. Pull up it to "Low Speed" position means that the maximum drive speed will be 4 mph, the light will be off. Pull it up to "Low Speed" position for inexperienced operators or when trimming around objects, buildings and other obstacles.</p> <div style="border: 1px solid black; background-color: black; color: white; padding: 5px; text-align: center;"> <p>i NOTE</p> <p>Get comfortable with mower before using "High Speed" setting. The maximum speed may be adjusted at any time, whether the mower is in motion or not.</p> </div>

7.2 INSTALL THE ROLL OVER PROTECTION STRUCTURE (ROPS)

▲ WARNING

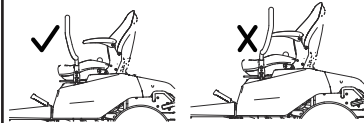
The left and right steering levers should be adjusted so that they align with each other when in the neutral position. NEVER install the steering levers in an asymmetrical operating height.



1. Lift one steering lever to align the holes in the steering lever with the holes in the corresponding mounting pole. Select the preferred steering-lever operating height, and then use the wrench (13*16mm) to secure the steering lever as indicated below.
2. Assemble the other steering lever and in the same way.

▲ CAUTION

Do not install the upper handle reversely.

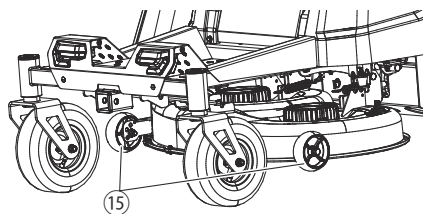


7.3 STEERING CONTROL LEVERS

The two levers control the mower's speed, direction, stopping, neutral lock, and parking brake. Levers are used to steer, accelerate, decelerate, stop, and change direction. When the control levers are in the park brake position, the mower will not move.

7.4 ANTI-SCALP WHEELS

Anti-scalp wheel kits are standard on Greenworks Commercial units. These anti-scalp wheels (23) are designed to minimize scalping when mowing on rough, uneven terrain. After setting the cutting height, adjust the anti-scalp wheels so they extend below the deck but do not contact the ground. They should always be at least 1/4" to 3/4" below the deck. With the unit sitting on a flat level surface, the wheel position can be adjusted up or down as needed from 3/4" to 1-3/4" below the blade surface. Move the wheels up or down - using the different axle mount holes in the wheel mount bracket (if applicable on model).



7.5 NEUTRAL BYPASS KNOB

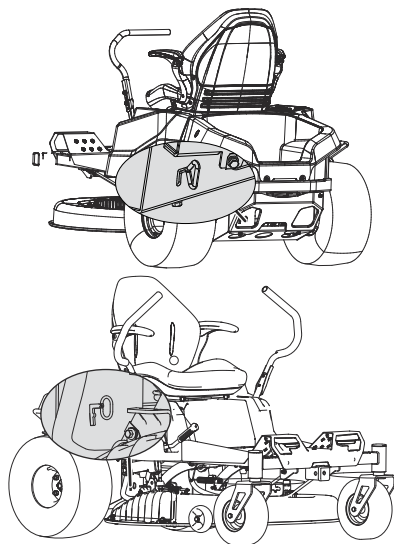
1. Pull the neutral bypass knobs outwards and then downwards to unlock the wheel.
2. Move the neutral bypass knobs back into position to lock the wheels.

▲ WARNING

Never drive mower with the neutral bypass knob working. Always install the neutral bypass knob to the original position before driving! Failure to re-install the knob could cause serious damage to your mower and void mower warranty!

▲ WARNING

Never pull the neutral bypass lever outside when the machine is working on the slope!



8 UNPACK THE MACHINE

▲ WARNING

Make sure that you correctly assemble the machine before use.

▲ WARNING

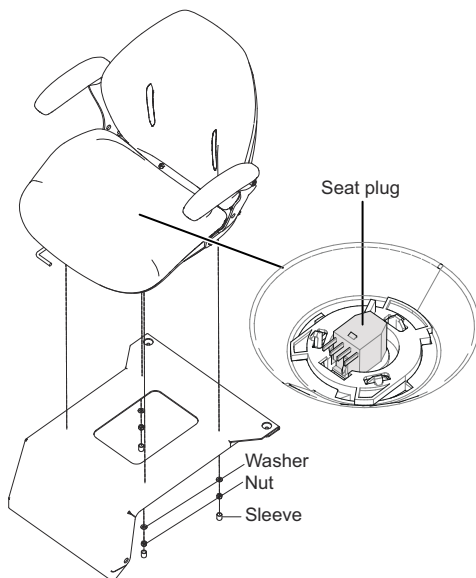
- If parts of the machine are damaged, do not use the machine.
- If you do not have all the parts, do not operate the machine.
- If parts are damaged or missing, contact the service center.

1. Open the package.
2. Read the documentation provided in the box.
3. Remove all the unassembled parts from the box.
4. Remove the machine from the box.
5. Discard the box and packing material in compliance with local regulations.

▲ WARNING

For your personal safety, do not insert battery before the tool is assembled completely.

9 INSTALL THE SEAT



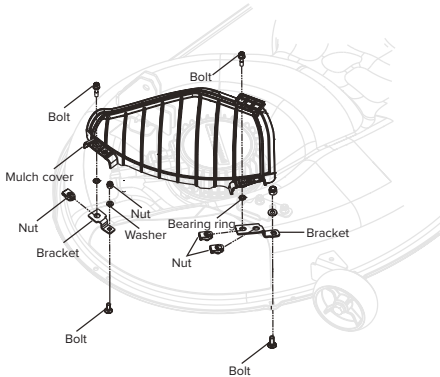
1. Place the seat assembly over the mounting brackets and align holes as shown.
2. Connect the seat plug to the machine.

3. Install the washers and nuts and tighten securely.
4. Attach the sleeve to the nut.
5. Make sure it is securely seated.

10 INSTALL THE ACCESSORIES

1. Mulch cover

10.1 INSTALL THE MULCH COVER



The mower is configured for side discharge when shipped. If mulching is desired:

1. Place the mulch cover on the tab on the mower housing.
2. Align the holes in the mulch cover and the holes in the mower housing.
3. Install and tighten the bolts, screws, fixation clamps and bearing ring as shown.

11 OPERATION

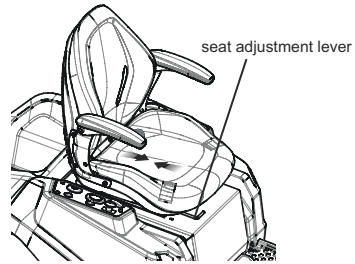
▲ WARNING

Wear eye protection during operation.

11.1 BEFORE OPERATION

11.1.1 ADJUST THE SEAT

Push steer control levers outward into PARK BRAKE position before you adjust the seat.



1. Sit down on seat and lift the seat adjustment lever.
2. While holding the lever, slide the seat to the desired position.
3. Release the lever and make sure the seat is locked in position before operating the mower.

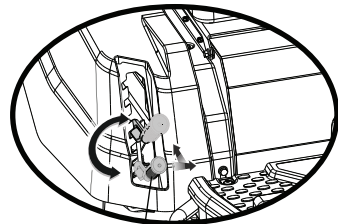
▲ WARNING

Be sure the seat is locked into place before operating the mower. A seat that is not secure can cause the operator to shift and lose control of the mower and result in possible death or serious personal injury.

11.1.2 ADJUST THE DECK CUTTING HEIGHT

Before using the mower, raise the deck height to the cutting position best suited for your lawn.

Deck height is adjustable from 1.5-4.5" inches. Deck should be raised while mowing is in progress to avoid stumps, rocks or other obstacle that can be damage mower deck.



Deck height adjustment lever

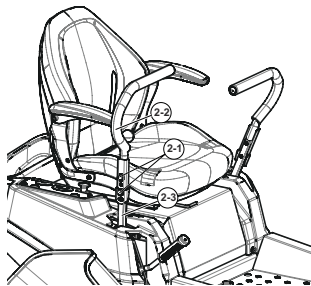
1. Stop the mower and disengage blades.
2. Turn key to OFF position and set the parking brake.
3. To raise the cutting deck, grasp the deck height adjustment lever, push left to disengage from slot, move toward the back of the mower, then push right into slot to secure.
4. To lower the cutting deck, grasp the deck height adjustment lever, push left to disengage from slot, move toward the front of the mower, then push right into slot to secure.

▲ CAUTION

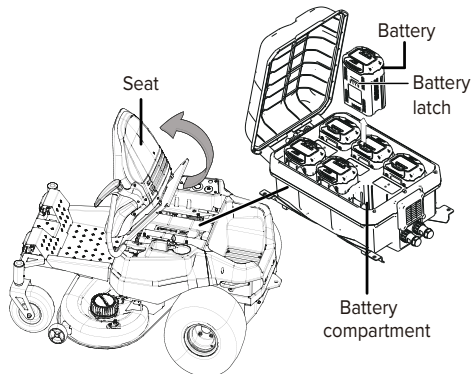
Hold the deck height adjustment lever firmly when setting the deck height and only release when it is secure in the desired slot. Quickly letting go of the lever may create a pinching or pulling hazard to the operator's hand.

11.1.3 ADJUST THE STEERING CONTROL LEVER

The steering control levers (2) can be adjusted for operator comfort. By loosening the cap screws (2-1) that attaches the upper control lever (2-2) to the lower lever (2-3), the upper control lever can be pivoted to fit the operator's personal preference. The steering control levers should be adjusted so that they align with each other when in the neutral position.

**11.1.4 INSTALL THE BATTERY PACK**

To verify mower batteries are fully charged, check the battery level indicator. See the battery manual for more details.



1. Lift the seat panel.
2. Lift the battery compartment cover.
3. Install the battery pack into the battery compartment.

▲ WARNING

Align the ribs of the battery with the battery port. Make sure that the battery latch clicks into the battery compartment smoothly.

11.1.5 BEFORE OPERATING THE MACHINE

- Ensure work area is clear of children, bystanders, and pets.
- Clear the work area of objects that may be thrown by the mower blades.
- Check brake operation.
- Check tire pressure.
- Check for loose fasteners.
- Check to make sure all guards are in place and working properly.
- Clean debris from mower.
- Test safety interlock system.
- Adjust seat to desired position.
- Verify battery charge level.

11.1.6 SAFETY START INTERLOCK SYSTEM

The machine is equipped with a safety start interlock system consisting of the park brake switches, seat switch, and deck blades ON and OFF switch.

The mower's safety start interlock system is also designed to protect the operator and others from accidental injury due to unintentional traction drive system starting.

Check mower safety start interlock system daily, prior to operation. This system is an important mower safety feature. It should be repaired immediately if it malfunctions. The machine incorporates a separate seat switch which will stop the drive system and deck motors when the operator is unseated for any reason while the mower is operating. This is a safety feature designed to prevent runaway or accidental entanglement.

▲ WARNING

The safety interlock system must not be disconnected or bypassed. Doing so could cause the machine to operate unexpectedly, resulting in personal injury.

To inspect the system:

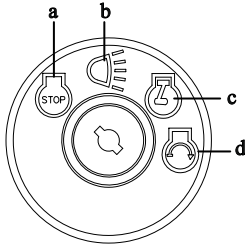
1. The operator must be on the seat when testing the seat switch.
2. Turn the key to start the machine.
3. Pull the steering control levers to the parking slots.
4. Pull up on the PTO switch to engage the motor.
5. Slowly raise off of the seat. The deck blade system should stop.
6. If the deck blade system fails to stop when the operator is off of the seat and if the cause cannot be determined, contact your Greenworks dealer immediately.

11.2 OPERATE THE MACHINE

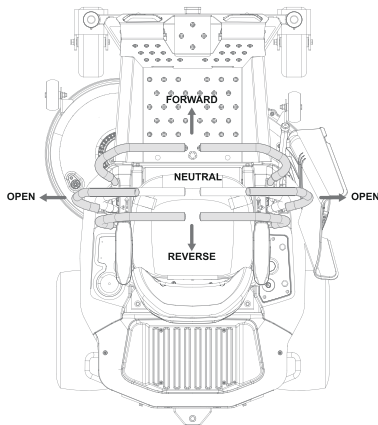
11.2.1 START THE MACHINE

▲ WARNING

Clear the area of bystanders before operating the mower. If anyone enters the mowing area, stop immediately and do not return to mowing until the bystanders leave the area.



a	Stop / Off
b	On (with lights)
c	Run
d	Start



1. Raise the mower deck to its highest position.
2. Insert start key and turn to start position (d).

▲ NOTE

The buzzer alarms for one time, the machine is READY TO GO, then you can drive the machine even without blade working..

3. Release the parking brake.

▲ NOTE

The key will return back to (c) position automatically. Wait for 4 seconds until the display shows normally.

4. Place steering control levers in forward (F) position and drive to desired mowing location.

▲ NOTE

Turn the headlight on by turning the key to the position (b) when you power on the machine.

▲ WARNING

Use caution when crossing over gravel paths or driveways. Before crossing, disengage the blades and raise the cutting deck to the highest position to minimize the possibility of ricochet. Drive slowly to avoid loss of traction and control.

▲ NOTE

Do not attempt to change the direction of operation while the mower is in motion. Always come to a complete stop before changing the mower direction.

▲ WARNING

Steering control levers will spring back towards neutral position if you release them, but you still need to control them manually to reach neutral position.

11.2.2 STOP THE MACHINE

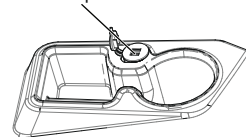
▲ DANGER

Never make sudden stops or reverse direction, especially when maneuvering on a slope. The steering is designed for sensitive response. Rapid movement of the steering control levers in either direction could result in a reaction of the machine that can cause serious injury.

1. Return drive control levers to the Neutral position. Push drive control levers outward into park brake position.
2. Push down on the PTO switch to turn blades off.
3. Turn the key to OFF position (a).

11.2.3 USE THE USB PORT

USB port



The USB charging port provides charging power of 5 Volts DC at up to 2.1 amps for your cell phone, MP3 player, or other USB devices. Consult the owner's manual for your device for specific charging requirements.

Connect one end of a USB cable (not provided) to your device and the other end to the USB charging port on the mower, to begin charging your device.

i NOTE

Attempting to charge devices rated more than 2.1 amps could damage the USB charging port and/or the mower.

i NOTE

The USB port is only powered when the machine starts.

▲ WARNING

Never use headphones or any electronic device, such as a smart phone or tablet, while operating the mower. Distracted operation can result in an accident that could result in death or serious personal injury to the operator or a bystander.

11.2.4 ELECTRIC TAKE OFF (ETO) SOCKET FOR CONNECTING ACCESSORIES

The machine can be used together with other attachments such as the blower.

11.2.5 OPERATION SUGGESTIONS

▲ DANGER

Prior to operation, the operator should be thoroughly familiar with the proper use and operation of the equipment, should read the manual completely and thoroughly, and should have attempted slow moving maneuvers to become familiar with the operation of the equipment before attempting normal-speed operation. An inexperienced operator should not mow on slopes or on uneven terrain.

▲ WARNING

If you lose steering control while operating the machine, place the steering control levers in the park brake position immediately and turn key to the "OFF" position. Inspect the machine and consult your Greenworks Commercial dealer to resolve the problem before continuing to operate.

▲ WARNING

The unit's steering control levers are very responsive. For smooth operation, move levers slowly, avoiding sudden movements. Skill and ease of operation come with practice and experience. The machine can spin very rapidly. Use caution when making turns and slow down before making sharp turns.

Inexperienced operators may have a tendency to oversteer and lose control. Slow-moving practice maneuvers are recommended to become familiar with these characteristics before attempting normal-speed operation.

▲ WARNING

Sharp depressions or raised obstacles (such as gutters or curbs) should not be directly approached at high speed in an attempt to "jump" them as the operator could be thrown from the equipment. Approach at a slow speed and angle one drive wheel at the obstruction. Continue at an angle until the wheel clears and then pivot the opposite wheel around.

When turning on soft or wet turf, keep both wheels rolling either forward or backward. Pivoting on one stopped wheel can damage turf. Keep blades sharp. Many problems with incorrect cutting patterns are due to dull blades or blades which have been sharpened incorrectly. Blade sharpness should be checked daily.

▲ DANGER

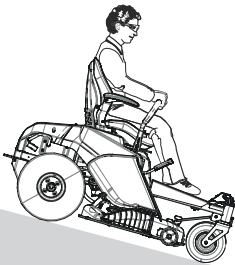
Never work with blades while key is in the ignition switch. Always place deck blade switch in the disengaged position, place steering control levers in the park brake position and turn key to the OFF position and remove key from switch. Block up mower when you must work under it. Wear gloves when handling blades. Always check for blade damage if mower strikes a rock, branch, or another foreign object during mowing.

- **Direct grass discharge to right**, away from unmowed area. Select a mowing pattern that directs grass discharge towards the outside the mowing area. Generally, this means using a pattern utilizing left turns because side discharge is to the right. In any case, avoid throwing grass discharge onto unmowed area because grass is then mowed "twice." Mowing twice puts an unnecessary load on the unit and reduces mowing efficiency.
- **When mowing a lawn for the first time**, cut grass slightly longer than normal to avoid scalping uneven terrain. When possible, it is best to use the cutting height that was used in the past. When cutting grass taller than six inches, you may want to mow the lawn twice to achieve a better quality of cut.
- **During normal mowing**, cut only about 1.5" of the grass blade. Cutting more than that is not recommended unless grass is sparse or it is the end of the mowing season.
- **Alternate mowing pattern between cuts** to keep the grass growing straight and better dispersion of the clippings.
- **Remember, grass grows at different rates** at different time of the year. Mow more often in the early spring to maintain the same cutting height. As the growth rate slows in mid summer, mow less frequently. If you cannot mow at a regular interval, mow at a high cutting height at first, then mow again two days later at a lower cutting height.
- **Raise the cutting height of the mower** if the cutting width of the mower is wider than the previous mower. This ensures that uneven turf is not cut too short.
- **Raise the cutting height of the mower** if the grass is slightly taller than normal or if it contains a high degree

of moisture. Then mow it again with the cutting height set lower.

- **If the machine's forward motion must be stopped** while mowing, a clump of grass clippings may drop onto your lawn. To avoid this, move onto a previously cut area with the blades engaged.
- **Charge the battery immediately** if the battery power of the machine is lower than 5%.
- **Allow motors 30 minutes to cool down.** If drive motor exceeds programmed temperature, the motor speed will decrease. If temperature continues to increase, drive will shut down at a higher programmed temperature.

11.3 SLOPE OPERATION



- Travel in the manufacturer recommended direction on slopes. Use caution while operating near drop-offs.
- Do not operate machine under any condition where traction, steering, or stability is in question. Tires could slide even if the wheels are stopped.
- Always keep the machine in gear when going down slopes. Do not coast downhill.
- Use extreme caution when operating on slopes.
- Do not remove or modify any wheels.
- Watch for holes, ruts, bumps, rocks or other hidden objects. Uneven terrain could overturn the machine. Tall grass can hide obstacles.
- Remove obstacles such as rocks, tree limbs, garbage etc.
- Keep all movement on slopes slow and gradual. Do not make sudden changes in speed or direction.
- Avoid starting and stopping on a slope. If tires lose traction, disengage the blades and proceed slowly straight down the slope.
- Mow a safe distance (minimum of 10 feet, or 3 meters) away from drop-offs, retaining walls, drainage ditches, embankments, water, and other types of hazards to avoid a wheel dropping over the edge or the ground breaking away. This will reduce the risk of the machine suddenly rolling over, which could cause either serious injury or death.

- Use a walk-behind, push mower or hand-held trimmer on slopes and near drop-offs, retaining walls, drainage ditches, embankments and water.
- Do not mow on wet grass. Reduced traction could cause sliding and loss of steering control.
- Do not tow on slopes. The weight of the towed equipment may cause loss of traction and control.
- If the mower's tires lose traction when operating on slopes, disengage the deck drive, place the steering control levers in the park brake position, press the push button switch, remove the magnetic bar and get help.
- Never make sudden starts, stops, turns, or reverse direction, especially when maneuvering on slopes. The steering is designed for sensitive response. Rapid movement of the steering control levers in either direction could result in a reaction of the machine that can cause serious injury.
- Never stop suddenly while backing down slopes. This action may result in a reaction of the machine that can cause serious physical injury.
- The Greenworks mower is capable of operating horizontally (traverse) on moderate slopes. When operating on slopes up to 15 degrees, take care of any conditions that may cause the mower drive tires to lose traction, resulting in a possible loss of control of the machine. An operator should not operate on a slope until he is thoroughly familiar with the equipment.

Do not operate on slopes greater than 15 degrees.

Refer to Slope Guide, when determining the degree of slope to be mowed. It is strongly recommended that the operator drive the machine off of the slope, using extreme caution, if any sign of loss of traction is detected. Wait until the condition that caused the problem is resolved before attempting to operate on the slope again. Terrain conditions can affect traction, resulting in possible loss of control of the machine. Some of the conditions to be aware of are:

1. Wet terrain
2. Depressions in the ground (e.g., holes, ruts, washouts)
3. Mounds of dirt
4. Certain types of soil (e.g., sand, loose dirt, gravel, clay)
5. Grass type, density, and height
6. Extremely dry conditions
7. Tire pressure

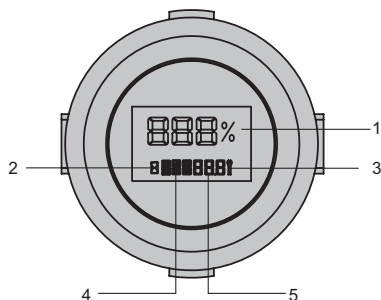
The attachments mounted to the mower will also affect the way it handles on a slope. Be aware that each attachment's characteristics vary.

These are just a few examples of situations where caution must be used when operating on a slope. There are many other possibilities too numerous to mention. Remember to always exercise extreme caution while operating on any slope.

11.4 DIGITAL DISPLAY

The function of the digital display, located on the control panel, is to provide electrical system information to the operator. It gives detailed information in the form of pattern, codes and number.

11.4.1 DIGITAL DISPLAY



#	Name	Meaning
1		Battery remaining capacity
2		Hourglass
3		Controller fault/ battery fault/ motor fault/ Vehicle fault
4		Fault position
5		Fault code/ total working hours

11.5 FAULTS

The Canbus system will take action to protect the user and machine when it detects an issue. When it acts to turn off the machine or a component, it will indicate that a fault has occurred, and that fault will be shown on the digital display. All electrical faults have a letter code followed by a number. The first letter describes the system that caused the fault according to this chart:

11.5.1 FOR RZ SERIES

TR	Right Driver Controller and motor
TL	Left Driver Controller and motor
PMU	Power management unit (in the battery cabin)
MR	Right Blade Controller and motor
ML	Left Blade Controller and motor

12 FAULT CODE

Display	Description		Fault code on LCD	Cause	Solution
⚠	The left steering control lever fails.	The potentiometer on the left steering control lever fails.	V17	The potentiometer fails.	Contact a specified service center.
		The potentiometer connector on the left steering control lever is loose.		The connector is loose.	
⚠	The right steering control lever fails.	The potentiometer on the right steering control lever fails.	V18	The potentiometer fails.	Contact a specified service center.
		The potentiometer connector on the right steering control lever is loose.		The connector is loose.	
⚠	The machine does not work when the machine is powered on.	Before the machine is powered on, the PTO switch is ON.	V15	Before the machine is powered on, the PTO switch, left steering control lever, and right steering control lever are not in the initial position.	Turn off the PTO switch.
		Before the machine is powered on, the left steering control lever is ON.			Turn off the left steer control lever.
		Before the machine is powered on, the right steering control lever is ON.			Turn off the right steer control lever.
		After the whole machine is powered on, the output signal of the left or right accelerator is abnormal.			Contact a specified service center.
		The PTO switch is on when the machine is powered on, but the operator is not in the seat.	V16	The operation is not correct.	Push down the PTO switch.
		The left steering control lever is not in the Neutral position when the machine is powered on, but the operator is not in the seat.			Make sure the left steering control lever is in the N position.
		The right steering control lever is not in the Neutral position when the machine is powered on, but the operator is not in the seat.			Make sure the right steering control lever is in the N position.
		The operator leaves the seat during operation.			Do not leave the seat. (except emergent conditions.)
		The operator is in the seat, and the machine is powered on, one steering control lever is in the Neutral position but the other is not.			Return the steering control levers to the N position when the operator leaves the seat.

Display	Description		Fault code on LCD	Cause	Solution
Y	The left or right drive motor does not work.	The 9pin connector between the vehicle wire harness and the left drive controller is loose.	V11	The connector is loose.	Contact a specified service center.
		The 9pin connector between the vehicle wiring harness and the right drive controller is loose.	V14	The connector is loose.	Contact a specified service center.
		The 10pin connector between the vehicle wire harness and the battery compartment is loose.	V21	The connector is loose.	Contact a specified service center.
		The 4pin connector between the vehicle wiring harness and the seat switch is loose.	V27	The connector is loose.	Contact a specified service center.
		Poor contact of seat switch connector.		Seat switch fails.	
		The PCBA that controls the left and right drive motors fails.	TR13, TL13, TR22, TL22, TR24, TL24, TR25, TL25, TR32, TL32	The PCBA fails.	Contact a specified service center.
		The 16pin connector between the vehicle wire harness and the left controller is loose , Or the 16pin connector between the vehicle wire harness and the right controller is loose.	V31, TR23	The connector is loose.	Contact a specified service center.
		A high-voltage battery pack is inserted in the of the battery compartment.	TR11, TL11	Wrong battery pack applied.	Check the battery pack.
		A low-voltage battery pack is inserted in the of the battery compartment.	TR12, TL12	Wrong battery pack applied.	Check the battery pack.
		The power of the battery pack in the of the battery compartment is too low.		The battery capacity is not high enough.	

Display	Description		Fault code on LCD	Cause	Solution
Y	The left or right drive motor does not work.	The right gearbox is stuck.	TR14	The right gearbox fails.	Contact a specified service center.
		The left gearbox is stuck.	TL14	The left gearbox fails.	Contact a specified service center.
		The 6pin connector between the right drive controller and the right drive motor is loose.	TR15	The connector is loose.	Contact a specified service center.
		The right drive motor fails.		The motor fails.	
		The 6pin connector between the left drive controller and the right drive motor is loose.	TL15	The connector is loose.	Contact a specified service center.
		The left drive motor fails.		The motor fails.	
		The connector between the right solenoid valve and the right drive controller is loose.	TR16	The connector is loose.	Contact a specified service center.
		The right solenoid valve fails.		The solenoid valve fails.	
The connector between the left solenoid valve and the right drive controller is loose.	TL16	The connector is loose.	Contact a specified service center.		
Y	The left or right drive motor does not work.	The left solenoid valve fails.		The solenoid valve fails.	
		The right drive controller temperature is too high.	TR17	The controller temperature is too high.	Power off the machine, and power on again after the controller cools down for a while.
		The left drive controller temperature is too high.	TL17		
		The right drive motor temperature is too high.	TR18	The motor temperature is too high.	Power off the machine, and power on again after the controller cools down for a while.
		The left drive motor temperature is too high.	TL18		
		The right drive motor fails.	TR21	The motor fails.	Contact a specified service center.
		The 6pin connector between the right drive motor and the right drive controller is loose.		The connector is loose.	
		The left drive motor fails.	TL21	The motor fails.	Contact a specified service center.
The 6pin connector between the left drive motor and the left drive controller is loose.	The connector is loose.				

Display	Description		Fault code on LCD	Cause	Solution	
Y	The left or right blade does not work.	The communication module of the left blade controller is damaged.	V 12	The left blade controller fails.	Contact a specified service center.	
		The 30pin connector between the vehicle wire harness and the left blade controller is loose.		The connector is loose.		
		The communication module of the right blade controller is damaged	V 13	The right blade controller fails.	Contact a specified service center.	
		The 30pin connector between the vehicle harness and the right blade controller is loose.		The connector is loose.		
		The 10pin connector between the vehicle wiring harness and the battery compartment is loose.	V21	The connector is loose.	Contact a specified service center.	
		The 4pin connector between the vehicle wiring harness and the seat switch is loose.	V27	The connector is loose.	Contact a specified service center.	
		Poor contact of seat switch contactor.		Seat switch fails.		
		A high-voltage battery pack is inserted in the of the battery compartment.	ML11	Wrong battery pack applied.	Check the battery pack.	
		A high-voltage battery pack is inserted in the of the battery compartment.	MR11	Wrong battery pack applied.	Check the battery pack.	
		The left blade motor fails.	ML13	The motor fails.	Contact a specified service center.	
		The right blade motor fails.	MR13	The motor fails.	Contact a specified service center.	
		The left mowing motor is overloaded.	ML14	The motor shut down for protection.	Raise the deck height and reduce drive speed.	
		The machine is blocked with grass and debris.				Clean the deck.
		The blade hit a hard object.				Restart the machine.
		The left mowing motor is overloaded.	MR14	The motor shut down for protection.	Raise the deck height and reduce drive speed.	
		The machine is blocked with grass and debris.				Clean the deck.
		The blade hit a hard object.				Restart the machine.

Display	Description	Fault code on LCD	Cause	Solution	
Y	The left or right blade does not work.	The 6pin connector between the left blade motor and the vehicle wire harness is loose.	ML15	The connector is loose.	Contact a specified service center.
		The left blade motor fails.		The motor fails.	
		The 6pin connector between the right blade motor and the vehicle wire harness is loose.	MR15	The connector is loose.	Contact a specified service center.
		The right blade motor fails.		The motor fails.	
		The PCBA that controls the left blade motor fails.	ML16, ML18	The PCBA fails.	Contact a specified service center.
		The PCBA that controls the right blade motor fails.	MR16, MR18	The PCBA fails.	Contact a specified service center.
		The phase wire connector between the left blade motor and the left blade controller is loose.	ML17	The connector is loose.	Contact a specified service center.
		The phase wire connector between the right blade motor and the right blade controller is loose.	MR17	The connector is loose.	Contact a specified service center.
		The left blade controller temperature is too high.	ML21	The controller temperature is too high.	Power off the machine, and power on again after the controller cools down for a while.
		The right blade controller temperature is too high.	MR21		
Y	The left or right blade does not work.	The left blade motor fails.	ML22	The motor fails.	Contact a specified service center.
		The 6pin connector between the left blade motor and the left blade controller is loose.		The connector is loose.	
		The right blade motor fails.	MR22	The motor fails.	Contact a specified service center.
		The 6pin connector between the right blade motor and the left blade controller is loose.		The connector is loose.	
		The left blade motor temperature is too high.	ML23	The motor temperature is too high.	Power off the machine, and power on again after the controller cools down for a while.
		The right blade motor temperature is too high.	MR23		
		The 30pin connector between the vehicle wire harness and the right blade controller is loose.	ML25	The connector is loose.	Contact a specified service center.
		The 30pin connector between the vehicle wire harness and the right blade controller is loose.	MR25	The connector is loose.	Contact a specified service center.

Display	Description		Fault code on LCD	Cause	Solution
⚡	The battery compartment alarms.	PMU is slightly overcurrent or PMU is slightly overtemperature.	PMU11	PMU is slightly overcurrent or PMU is slightly over temperature.	Do not use the machine too much to avoid machine shut down.
		The PMU shutdown protection is triggered.	PMU12	The working environment is bad, PMU protection triggered.	Restart the machine.
				The power of the machine is too low.	Check the battery capacity.
				The battery compartment fails.	Contact a specified service center.
		The battery inserted does not work (not specified battery).	PMU13	Battery pack is not applicable.	Defective battery pack applied.
Defective battery pack inserted.	Make sure the battery pack is OK.				

13 MAINTENANCE

Regular maintenance is the best prevention for costly downtime or expensive, premature repair. The following pages contain suggested maintenance information and schedules which the operator should follow on a routine basis. For more detailed information, refer to the website for your unit. Remain alert for unusual noises, as they could be signaling a problem. Visually inspect the machine for any abnormal wear or damage.

13.1 MOWER BLADE MAINTENANCE

Check the mower blades daily. They are the key to power efficiency and well-groomed turf. Keep them sharp -- a dull blade will tear rather than cut the grass, leaving a brown ragged top on the grass within a few hours. A dull blade also requires more power. Replace any blade that is bent, cracked or broken.

▲ WARNING

Never attempt to straighten a bent blade by heating, or weld a cracked or broken blade as the blade may break and cause serious injury. Replace worn or damaged blades.

▲ WARNING

Never work with blades while key is in the ignition switch. Turn key to "OFF" position, remove the battery packs from the machine. Block up mower when you must work under it. Wear gloves when handling blades. Always check for blade damage if mower strikes a rock, branch or other foreign objects!

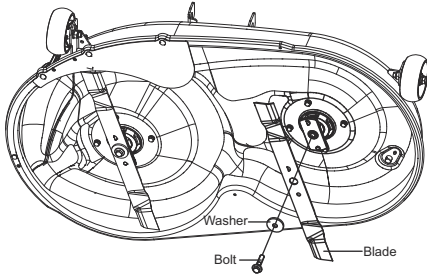
▲ DANGER

Touch-up sharpening can be done with a file. Check the blades for balance following grinding. A commercial balancing tool is available through most hardware supply stores, or balancing can be done by placing the blade on an inverted line punch or 1/2" bolt. Blade should not lean or tilt. While spinning the blade slowly, it should not wobble. If blade is out of balance, true it up before reinstalling. Lay the blade on a flat surface and check for distortion. Replace any distorted blade.

▲ WARNING

- The blade sail (curved part) must be pointing upward toward the inside of the deck to ensure proper cutting.
- When mounting blades, rotate them after installation to ensure blade tips do not touch each other or sides of the mower.
- Failure to correctly torque the bolt may result in the loss of the blade, which can cause serious injury.
- Mower blades are sharp and can cut. Wear gloves and use extra caution when servicing them.

13.1.1 REPLACE THE BLADE



1. Stop the motor, remove the start key, and set the parking brake.
2. Raise the height of the cutting deck to its highest position to allow access to blades.

i NOTE

If necessary, raise the mower by placing on a lift or using a jack and jack stands, or remove the cutting deck as described in the previous section to gain access to the blades.

▲ WARNING

If raising the mower to access the blades, make sure the mower is properly secured and the parking brake is set before proceeding. Failure to properly secure the mower could cause it to fall, resulting in death or possible serious personal injury.

3. Wedge a block of wood between the blade and mower deck to prevent the blade from turning.
4. Loosen the blade nut by turning it counterclockwise (as viewed from bottom of mower) using a 16 mm wrench or socket (not provided).
5. Remove the blade nut, spacer, blade insulator, and blade.
6. Thread the blade nut on the shaft and finger tighten.
7. Torque the blade nut down clockwise using a torque wrench (not provided) to ensure the bolt is properly tightened. The recommended torque for the blade nut is 796–885 in. lbs.

▲ WARNING

Ensure blade is properly seated and the blade nut is tightened to the torque specifications above. Failure to properly attach the blade could cause it to come loose and result in possible serious personal injury.

8. Repeat with second blade, if needed.

i NOTE

Make certain all parts are replaced in the exact order in which they were removed.

13.2 TIRES

It is important for level mowing that all tires have the correct amount of air pressure. The recommended pressure are:

i NOTE

Tire pressure should only be measured or adjusted when tires are cold.

Front caster wheels	37 psi
Drive wheels	8 psi

i NOTE

Inspect the tires daily. Replace immediately if damaged.

▲ WARNING

Check the tire pressure carefully while inflating. Too much air in the tire could cause the tire to burst, causing serious personal injury.

13.3 LUBRICATION

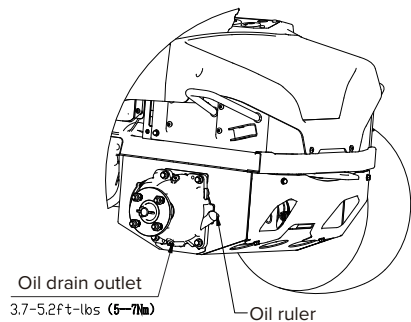
Please add oil before operation.

Oil type	SAE85W-140
Oil capacity	180 ml

Contact your Greenworks dealer to replace the lubrication.

i NOTE

Replace the gearbox oil after you operate the machine for 50 hours for the first time, then replace the oil every 200 hours.



13.4 TORQUE VALUES

▲ WARNING

Particular attention must be given to tightening the drive wheel lug nuts and blade spindle bolts. Failure to correctly torque these items may result in the loss of a wheel or blade, which can cause serious damage or personal injury.

Torque values are given below:

Part	Ft-lbs.	Nm
Wheel (lug) nuts	89	120
Blade spindle bolt	66	90

Lug nuts only -It is recommended that these be checked after the first 2 hours of operation, initially, every 100 hours and following removal for repair or replacement.

For all other torques refer to the various mower parts manuals for standard torque chart.

13.5 BATTERY PACK MAINTENANCE

Your Greenworks mower is powered by a battery pack which, when maintained properly, will provide years of useful life. For proper care, adhere to the following instructions:

- Always charge batteries after each use.
- Whenever a battery pack is fully discharged and turned off, it is best to recharge the battery as soon as possible. Over-discharge of the battery pack means the battery life will be shortened and the battery may become permanently damaged. There is no need to fully charge; it will be beneficial even if you only charge the battery pack for 5-10 minutes. It is best to recharge it within 24 hours.
- Check that battery cables are securely tightened to batteries each time you service the battery.
- Keep grass, dirt and debris from collecting near battery terminals and in battery area.
- Charge batteries indoors in a well-ventilated and dry location away from sparks or flames. Never expose charger to rain, vapor or liquid.
- Charge only lithium batteries provided by Greenworks.
- Do not touch uninsulated portion of charger (terminal pins) or of output connector.
- Do not use with defective cords and wires. Replace defective cords and wires immediately.
- For long-term storage, please make sure the storage temperature is -4°F - 113°F within one month, and 32°F - 95°F between two and 12 months.
- The working environment of the battery pack is 14°F - 113°F. Battery pack can be used a -5°F - 131°F for discharge, and 32°F - 107°F for charge.

13.6 BATTERY COMPARTMENT FILTER MAINTENANCE

Replace the battery compartment filter every 200 hours.

13.7 SERVICE

i IMPORTANT

Wait for all movement to stop before adjusting, cleaning or repairing. Repairs or maintenance requiring power should be performed by trained maintenance personnel only. Read and observe safety warnings in front of manual.

i IMPORTANT

Repairs or maintenance requiring power should be performed by trained maintenance personnel only.

- Park the mower on level ground. Make sure that steering control levers are in the neutral position, and that the PTO switch is in "OFF" position. Raise deck, rotate key to "OFF" position, remove key from switch and remove the battery packs from the battery compartment under the seat.
- Any maintenance operation that requires the removal of safety covers must be performed by a trained service technician.
- Use a stick or similar instrument to clean under the mower, making sure that no part of the body -- especially arms and hands -- is under mower.
- Keep your machine clean and remove any deposits of trash and clippings.
- Keep battery compartment, deck and operator's station clean of accumulated trash, grass clippings, and other debris.
- Clean battery compartment, drive motor compartment, mower deck, seat, etc., of all dirt and debris. To clean, use only compressed air. DO NOT use water, solvents, hard cleaners or abrasives.
- Always wear adequate eye protection when servicing the batteries or when grinding mower blades and removing accumulated debris. Never attempt to make any adjustments or repairs to the mower's drive system, mower deck or any attachment while the traction drive system is running. Repairs or maintenance requiring power should be performed by trained maintenance personnel only.
- Never work under the machine or attachment unless it is safely supported with jack stands. Make certain machine is secure when it is raised and placed on the jack stands.
- The jack stands should not allow the machine to move when the traction drive system is running and the drive wheels are rotating. Use only certified jack stands. Use only appropriate jack stands, with a minimum weight rating of 2000 pounds (907.2 kg) to block the unit up. Use in pairs only. Follow the instructions supplied with the vehicle stands.
- Do not touch hot parts of machine.
- Keep nuts and bolts tight, especially the blade attachment bolts. Keep equipment in good working condition.
- Never tamper with safety devices. Check their proper operation regularly.

- Turn the key to the “OFF” position before unlogging the discharge chute.
- Never clear the discharge chute with the machine running. Turn the key to the “OFF” position and be sure the blades have stopped before cleaning. Use a stick to clear a plugged discharge area. Never use your hand!
- Stop unit and allow blades to stop before unlogging chute. Grass collection system components are subject to wear, damage and deterioration, which could expose moving parts or allow objects to be thrown. Frequently check components and replace with manufacturer’s recommended parts, when necessary.
- Exercise caution when working under the deck as the mower blades are extremely sharp. Wear gloves and use extra caution when servicing them.
- Use only genuine Greenworks Mower parts to ensure that original standards are maintained.
- Always remove batteries when transporting unit. Keep unit free of grass clippings, leaves and other debris.
- Check brake operation frequently. Adjust and service as required.
- Maintain or replace safety and instruction labels, as necessary.
- Have your ride-on lawn mower serviced by a qualified repair person using only identical replacement parts. This will ensure that the safety of the ride-on lawn mower is maintained.
- Recharge only with the charger specified by the manufacturer. A charger that is suitable for one type of battery pack may create a risk of fire when used with another battery pack.

14 TRANSPORTATION

▲ WARNING

Use extra care when loading or unloading the machine into a trailer. Press the low speed drive button and carefully move the drive levers as needed to control the speed. Always back onto the trailer when loading. When loading or unloading the mower, do not exceed the maximum recommended operation angle of 15°. Failure to follow these instructions can result in loss of control and result in death, serious personal injury, or property damage.

▲ WARNING

Use care when loading or unloading the mower onto a trailer. Ensure the cutting deck is raised to the highest position so that it is not caught on the ramp. The wheels on the mower can go off the ramp or trailer, causing the mower to pivot or tip over, and result in a crush hazard that can cause death or serious personal injury.

1. Park the mower on a level surface.
2. Raise the cutting deck to the highest position.
3. Position and secure ramp to the trailer according to manufacturer’s instructions.

i NOTE

We recommend you use one full width loading ramp that is at least 1 ft. wider than the mower to minimize the risk of the mower’s wheels going off the side of the ramp.

4. Slowly back the mower onto the ramp and into the trailer.
5. Lower mower deck completely.

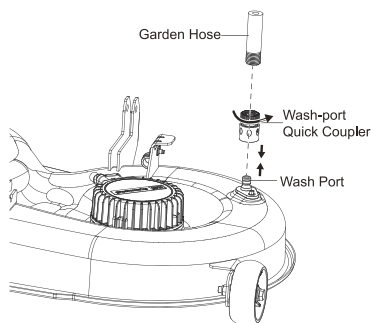
6. Set the parking brake.
7. Turn off mower and remove key.
8. Secure the mower as needed using straps or cables to prevent movement during transport.

▲ WARNING

To avoid accidental starting or movement that could result in serious personal injury, always remove the start key and set the parking brake when transporting the mower.

15 CLEANING AND STORAGE

15.1 CLEAN THE MOWER DECK



- Set the parking brake into the parking slots. Refer to section PARKING BRAKE SETTING in this manual.
- Adjust the mower deck height to the lowest. Refer to section "CUTTING-DECK HEIGHT ADJUSTMENT" in this manual.
- Attach the supplied wash-port quick-coupler to garden hose.
- Attach garden hose with quick-coupler to wash port on the mower deck. The wash port is on the left side of the mower deck.
- Turn on the water.
- Pull the PTO switch to start the mower cutting blades and adjust the blade speed to the highest. Refer to section "Blade-Speed Adjustment Button" in this manual.
- Flush water under the deck for approximately one minute.
- Disengage the mower blades by pushing the PTO switch downward.
- Turn off the water and remove garden hose and quick-coupler from wash port.
- Remove quick-coupler from garden hose and store for future use.
- Turn off the mower completely. See section "STOPPING THE ELECTRIC ZERO TURN MOWER".

15.2 STORE THE MACHINE

The following steps should be taken in order to prepare the machine for storage.

- Clean the machine as described in the previous section.
- Inspect the blade and replace it or sharpen it, if required (refer to the Maintenance section).
- Do not store the machine next to corrosive materials, such as fertilizer or rock salt.
- Keep the machine out of the reach of children.
- Do not cover the machine with a solid plastic sheet. Plastic coverings trap moisture around the machine, which causes rust and corrosion.
- Check thoroughly for any worn or damaged parts that need replacing and order them from your dealer.
- Thoroughly lubricate machine, according to lubrication instructions.
- Fully charge and service the batteries.
- Do not deflate tires.
- The machine should be stored in a well-ventilated, clean and dry place.

15.3 PREPARE FOR USE AFTER STORAGE

The following steps should be taken before using the mower after it has been stored:

- Fully charge the batteries.
- Check tire pressure and inflate as needed.
- Briefly drive the mower and check all systems and components to ensure they are functioning correctly.

16 TROUBLESHOOTING

Problem	Cause	Solution
The machine does not move.	<ol style="list-style-type: none"> 1. There is no battery pack in the battery compartment, or the battery inserted is not Greenworks designed. 2. The battery pack is out of power. 3. The steer control lever is in the NEUTRAL position. 4. There is no person sitting on the seat or the seat switch is not connected. 5. The PTO switch, or the the left and right steer control levers are not in the original position when the machine power is on. 6. The battery pack that controls the drive function is in sleep state. 	<ol style="list-style-type: none"> 1. Make sure at least one Greenworks designed battery pack is inserted in the battery compartment. 2. Check the battery capacity. 3. Make sure the steer control levers are not in the parking slots. 4. Make sure the operator is sitting on the seat. 5. Return the steer control lever and PTO switch to the original position, restart the machine. If the machine still fails to work, contact the service center for help. 6. Turn the key to the OFF position, and restart the machine 5 seconds later.
Sudden breakdown during driving.	<ol style="list-style-type: none"> 1. The battery is out of power. 2. The seat switch is disconnected on rugged or bumpy roads. 3. The accelerator fails. 4. The vehicle controller fails. 	<ol style="list-style-type: none"> 1. Make sure at least one Greenworks designed battery pack is inserted in the battery compartment. Make sure the battery pack has power. 2. Return the steer control lever to original position, restart the machine, operate the steer control lever to check if the machine works normally. 3. Contact a technical people for help.
The blade fails to run when you pull up the PTO switch.	<ol style="list-style-type: none"> 1. There is no Greenworks designed battery pack in the battery compartment. 2. The battery pack is out of power. 3. The seat switch is not connected. 4. The PTO switch is not pushed when the machine is powered on. 5. The blade motor is blocked or other functional protection. 	<ol style="list-style-type: none"> 1. Make sure at least one Greenworks designed battery pack is inserted in the battery compartment. Make sure the battery pack has power. 2. Check the battery capacity. 3. Make sure the operator is sitting on the seat. 4. Push down on the PTO switch, restart the machine. 5. Cut the grass in low blade speed when you power on the machine, set the blade speed to high position once the machine cuts normally. Check if the connection between the blade and motor is without grass or foreign objects to ensure the blade rotates smoothly. 6. Turn the key to the OFF position, and restart the machine 5 seconds later.
The blade stops running during the mowing process.	<ol style="list-style-type: none"> 1. The blade motor is overheated. 2. The deck is full of grass and garbage. 3. The blade motor is overloaded. 4. The battery pack temperature is too high. 5. The battery is undervoltage. 6. The blade is hit by a foreign object, causing the blade to stop suddenly for protection. 	<ol style="list-style-type: none"> 1. Do not use the machine too much, power off the machine for 5min. Raise the deck height or reduce the driving speed to protect the blade. 2. Clean the deck to ensure that the blade rotation is normal. 3. Push down on the PTO switch; restart the machine. Raise the deck height or reduce the drive speed to protect the blade. 4. The battery pack that controls the blade system enters under-voltage protection state, and the battery should be charged immediately 5. Turn the key to the OFF position, and restart the machine 5 seconds later.

Problem	Cause	Solution
The machine cuts the grass unevenly.	<ol style="list-style-type: none"> 1. The blade is dull. 2. The blade is bent. 3. The deck is uneven. 	<ol style="list-style-type: none"> 1. Grind the blade according to the manual. 2. Replace the bent blade, replace the blade according to the instructions in the manual, and wear protective equipment. 3. Adjust the cutting deck according to the instructions in the manual to ensure the left and right deck height are even.
The actual cut height does not match the cut height you set.	<ol style="list-style-type: none"> 1. The bolt of the deck is loose. 2. The deck is severely worn or damaged. 	<ol style="list-style-type: none"> 1. Adjust the cutting deck bolt, make sure the deck is not loose. Please balance the deck level after each adjustment. 2. Replace with a new cutting deck.
The machine cuts the grass abnormally.	<ol style="list-style-type: none"> 1. The grass is too wet. 2. The grass amount you set is too much. 	<ol style="list-style-type: none"> 1. Please check the grass before working. If the grass is too wet, please wait until the grass gets drier. 2. If the grass is too intensive and high, raise the deck height, and avoid cutting intensive grass.
The machine vibrates too much.	<ol style="list-style-type: none"> 1. The blade is loose. 2. The blade is bent. 3. The deck is uneven. 4. The deck is loose. 5. The blade cuts too much grass more than the amount you set. 	<ol style="list-style-type: none"> 1. Grind the blade according to the manual. 2. Replace the bent blade, replace the blade according to the instructions in the manual, and wear protective equipment. 3. Adjust the cutting deck according to the instructions in the manual to ensure the left and right deck height are even. 4. Tighten the fixing bolts of the deck. 5. If the grass is too intensive and high, please raise the cutting deck and try to avoid cutting intensive grass.
There is grass or debris on the ground after mowing.	<ol style="list-style-type: none"> 1. The blade cuts too much grass more than the amount you set. 2. The grass is too wet. 3. You drive too fast. 4. The blade speed is too low. 	<ol style="list-style-type: none"> 1. If the grass is too dense and high, please raise the cutting deck. If the grass height exceeds 6 inch, please cut the area repeatedly. Try to avoid cutting intensive grass. 2. Please check the grass before working. If the grass is too wet, please wait until the grass gets drier. 3. Reduce the drive speed. 4. Turn the blade speed to high position.
The cutting endurance time is short.	Heavy grass can short the running time of the lawn mower.	Raise the cutting deck and reduce the blade speed to extend the running time.
The machine is off the track.	The tire pressure of the left and right rear wheel is different.	Check the tire pressure of the machine regularly according to the instructions.
The machine fails to start after cleaning.	Improper cleaning, water enters electronic components such as LCD or battery compartment.	<ol style="list-style-type: none"> 1. When cleaning the machine, please clean it according to the instructions. 2. If the vehicle is accidentally exposed to rain, please put the vehicle in a dry place for 12 hours or dry it before use. 3. Contact a service center for help.
The mower is blocked.	The deck is full of weeds and garbage.	Please clean the machine correctly according to the instructions after each use.

Problem	Cause	Solution
The machine quickly moves down the slope even if you engage the neutral bypass knob.	<ol style="list-style-type: none"><li data-bbox="216 148 624 172">1. Tire wear is too serious.<li data-bbox="216 172 624 220">2. The neutral bypass knob is damaged or severely worn out.<li data-bbox="216 220 624 284">3. Check if the neutral bypass knob is disengaged by someone.	<ol style="list-style-type: none"><li data-bbox="630 148 1032 196">1. Contact a service center to replace the tire or neutral bypass knob.<li data-bbox="630 196 1032 284">2. Check if the neutral bypass knob is disengaged by someone.

17 TECHNICAL DATA

Model No.	CRZ426	CRZ428	CRZ428
Voltage	60 V	80 V	82 V
Gross vehicle weight (lbs)	234±3	234±3	234±3
Length	67"	67"	67"
Height	46"	46"	46"
Width (with discharge)	53"	53"	53"
Deck width	42"	42"	42"
Forward speed (mph)	7.5	7.5	7.5
Reverse speed (mph)	3	3	3
Cutting height range	1.5-4.5"	1.5-4.5"	1.5-4.5"
Bucket capacity (lbs)	200	200	200
Towing capacity(lbs)	300 (include bucket capacity)		
Battery model	See website		
Charger model	See website		

18 WARRANTY

Greenworks hereby warranties this product, to the original purchaser with proof of purchase, for a period of four (4) years or 200 hours of use (whichever comes first) against defects in materials, parts or workmanship. Greenworks, at its own discretion, will repair or replace any and all parts found to be defective, through normal use, free of charge to the customer. This warranty is valid only for units which have been used for personal use that have not been hired or rented for industrial/commercial use, and that have been maintained in accordance with the instructions in the owners' manual supplied with the product from new.

18.1 ITEMS NOT COVERED BY WARRANTY:

- Any that have been transferred to a new owner. This warranty only applies to the original purchaser from an authorized Greenworks retailer or dealer. This warranty is nontransferable.
- Any part that has become inoperative due to misuse, rental use, commercial use, abuse, neglect, accident, improper maintenance, product modification, unauthorized repair or alteration; or
- If item has not been operated and/or maintained in accordance with the owner's manual; or
- Normal wear.
- Routine maintenance parts or service include, but are not limited to: lubricants, mower seat wear, blade sharpening, wheels, tiers, anti-scalp wheels, blades as well as any optional accessories or attachments.

- Normal deterioration of the exterior finish due to use or exposure.
- Damage or failure resulting from, but not solely: immersion in water or other liquids, accidents, misuse, neglect or lack of proper installation, and proper maintenance and storage.
- An item that has not been registered on an authorized Greenworks website (see REGISTRATION info with QR code or product page info for proper product registration).

18.2 HELPLINE:

Warranty service is available by calling our toll-free helpline, at 1-888-909-6757 Greenworks Pro, 1-855-470-4267 Greenworks Commercial.

18.3 TRANSPORTATION CHARGES:

Transportation charges for the movement of any power equipment unit or attachment are the responsibility of the purchaser. It is the purchaser's responsibility to pay transportation charges for any part submitted for replacement under this warranty unless such return is requested in writing by Greenworks.

USA address:

Greenworks Tools
P.O. Box 1238
Mooresville, NC 28115

Canadian address:

Greenworks Tools Canada Inc.
P.O. Box 93095, Newmarket,
Ontario
L3Y 8K3